

MINISTRY OF EDUCATION, HERITAGE & ARTS

WORKSHEET 8 YEAR 11 2021

TECHNICAL DRAWING

STRAND 1(11.3.3): APPLIED DRAWING

INSTRUCTIONS:

1. Use your exercise book to do all the questions given below.
2. All measurements are in millimeters
3. Show all your construction lines clearly.

NAME:

SECTION B

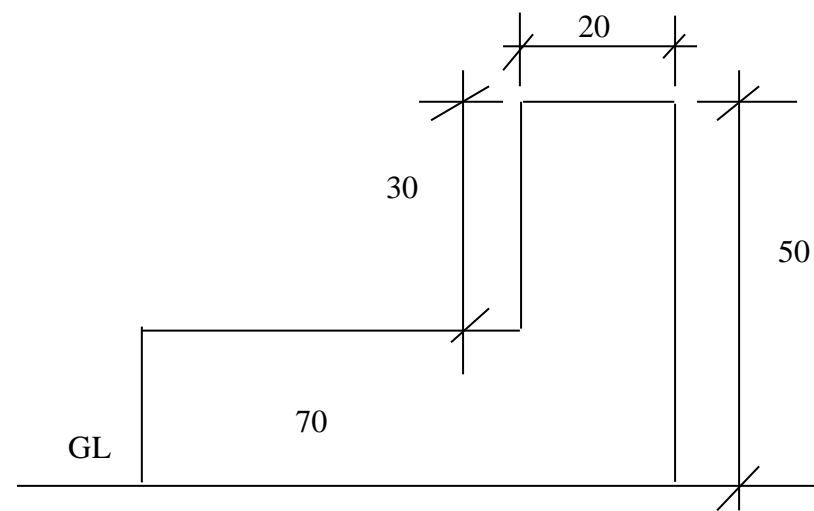
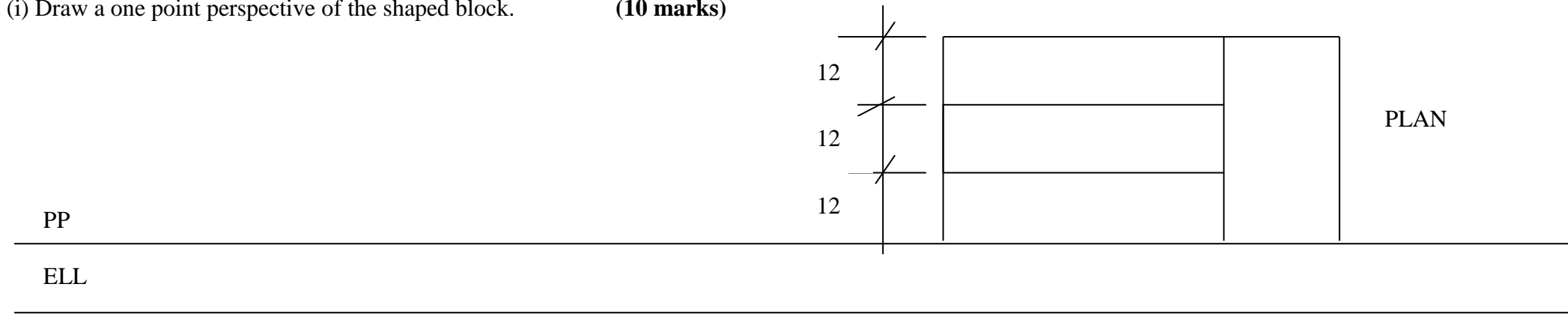
QUESTION 1

(20 marks)

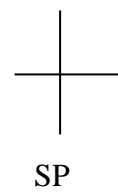
PART A

Given: The Plan and Elevation of a shaped block resting on the picture plane.

Required: (i) Draw a one point perspective of the shaped block. **(10 marks)**



FRONT ELEVATION



BQ1A			
1	Correct VP	1	
2	Correct height line	1	
3	Correct elevation drawn	2	
4	Correct projection line	3	
5	Correct edges drawn	2	
6	Correct lines shown on the SP	2	
7	Correct length	2	
8	Correct width drawn	2	
9	Correct height	2	
10	Correct method	2	
11	Accuracy	1	